



AAG CATALOGUE

fenders





EXTRUDED FENDERS

dd fenders	2
dc fenders	3
sd fenders	4
sc fenders	5

CYLINDRICAL FENDERS

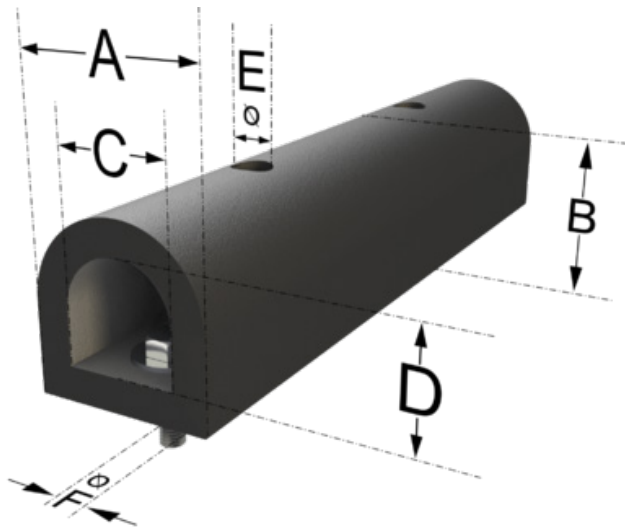
cylindrical fenders	6
---------------------	---

OTHER FENDERS

w fenders	7
m fenders	8
keyhole fenders	9

AAG CATALOGUE

extruded dd fenders



These highly durable fenders provide excellent impact protection to a wide variety of applications, including but not restricted to, Jetties and wharfs, Tugs, and loading bays.

Traditionally made from NR/SBR rubber compound, these fenders are hard wearing, they are highly abrasion and UV resistant.

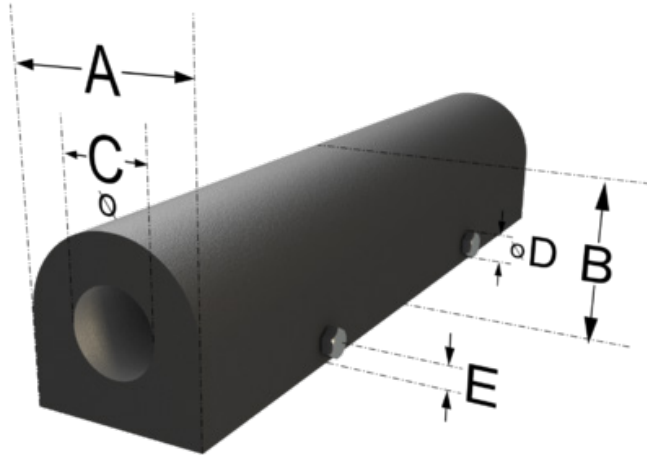
EPDM and Polyurethane options are also available.

We can provide a drilling service, as well as further options of chamfering and bending.

A	B	C	D	ØE	ØF	FLAT BAR	BOLT SIZE	WEIGHT [KG/M]
80	70	45	30	30	15	35×5	M12	4.8
100	100	50	45	30	15	40×5	M12	8.5
125	125	60	60	40	20	50×6	M16	13.2
150	150	75	75	40	20	60×8	M16	18.5
200	150	100	80	50	25	80×10	M20	23.1
200	200	100	100	50	25	80×10	M20	32.9
250	200	125	100	60	30	90×12	M24	39.9
250	250	125	125	60	30	90×12	M24	51.5
300	300	150	150	60	30	110×12	M24	74.1
350	350	175	175	75	35	130×15	M30	101

[All dimensions in mm]

FENDER SIZE	E (KNM)	R (KN)
100	1.4	77
150	3.2	115
200	5.7	153
250	8.9	191
300	12.9	230
350	17.6	268
400	23.0	306
500	35.9	383



DC fenders provide excellent impact protection to a wide variety of applications. Dependant upon the chosen size they are ideal for any project from small jetties, to loading bays and the larger sizes are used throughout the world for vessel and port protection.

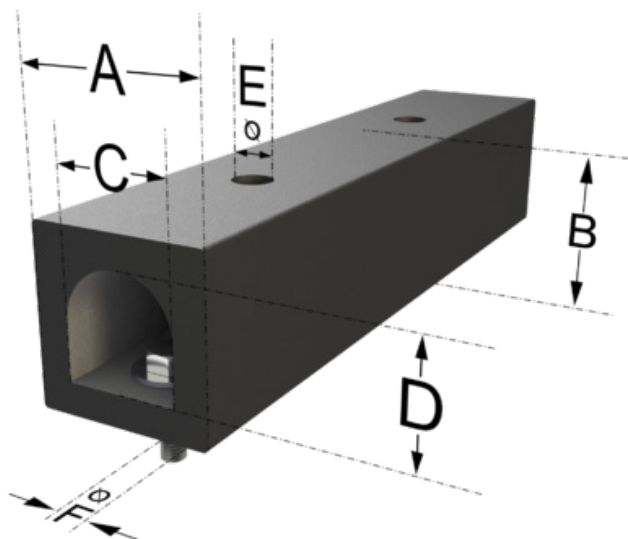
Hard wearing Natural rubber/SBR compound fenders have been rigorously tested to ensure they are highly resistant to abrasion and UV rays.

Upon request we can supply these fenders pre drilled to ensure that installation times are kept to a minimum, chamfering and bending options are also available.

A	B	ØC	ØD	E	F	FLAT BAR	BOL SIZE	WEIGHT [KG/M]
100	100	30	15	25	10	50×6	M12	10.1
150	150	65	20	30	12	60×8	M16	20.6
200	200	75	25	45	15	80×10	M20	38.5
250	250	100	30	50	20	100×10	M24	59.0
300	300	125	30	60	25	110×12	M24	83.7
350	350	150	35	70	25	120×12	M30	113

[All dimensions in mm]

FENDER SIZE	E (KNM)	R (KN)
100	1.9	157
150	4.2	235
200	7.5	314
250	11.7	392
300	16.9	471
350	22.9	549
400	29.4	628
500	46.0	785



Produced in either extruded or compression moulded form, these square fenders are primarily designed for mounting to Tugs and work boats where extra impact protection is provided by the increased wall thickness.

Manufactured from Natural rubber/SBR compound they are extremely hard wearing, abrasion and UV resistant.

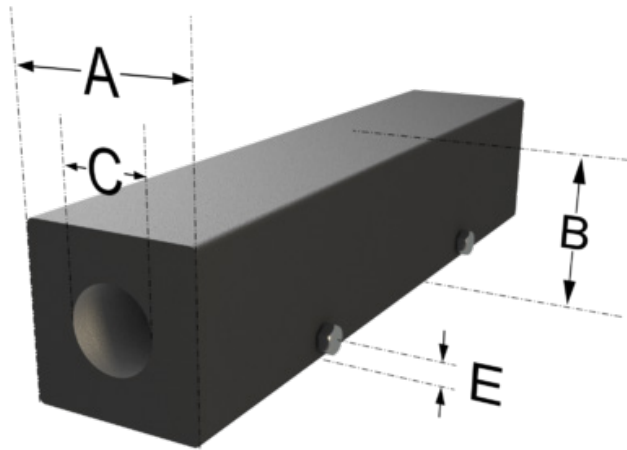
They can be produced in extruded form up to any reasonable length, or compression form to standard sizes.

A drilling service can be provided to ensure that installation times are kept to a minimum. Other applications include protection for quays, bridges, loading bays and inland waterways.

A	B	C	D	ØE	ØF	FLAT BAR	BOLT SIZE	WEIGHT [KG/M]
100	100	50	45	30	15	40×5	M12	9.9
150	150	70	65	40	20	50×8	M16	22.7
165	125	80	60	40	20	60×8	M16	20.3
200	150	90	65	50	25	70×10	M20	30.8
200	200	90	95	50	25	70×10	M20	39.8
250	200	120	95	60	30	90×12	M24	49.4
250	250	120	120	60	30	90×12	M24	61.1
300	250	140	115	60	30	100×12	M24	75.0

[All dimensions in mm]

FENDER SIZE	E (KNM)	R (KN)
100	2.7	136
150	6.4	206
200	11.3	275
250	17.6	343
300	25.5	412
350	34.3	471
400	45.2	589
500	70.7	736



Where a more rigid and stronger type of impact protection fender is required the SC profile is both hard wearing and abrasion resistant.

Widely used throughout the shipbuilding industry they are perfectly suited for hull protection on tugs and work boats where operational duties include pushing and maneuvering other vessels.

Extruded they can be supplied up to 300 mm wide and to any reasonable length, the larger compression moulded versions are manufactured in standard sizes.

Pre drilling, chamfering and bending services can be provided.

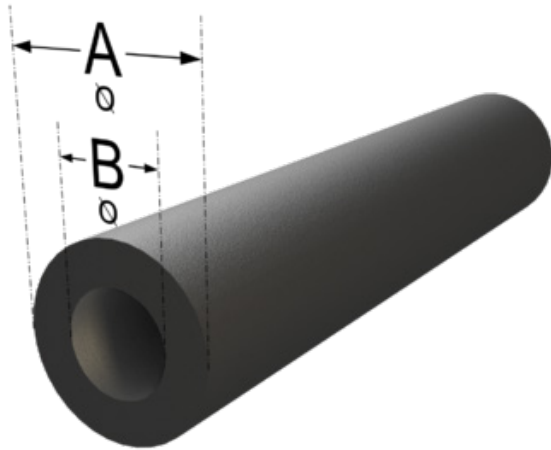
A	B	ØC	ØD	E	F	FLAT BAR	BOL SIZE	WEIGHT [KG/M]
100	100	30	15	25	10	50×6	M12	11.4
150	150	65	20	30	12	60×8	M16	23.6
165	125	65	20	30	15	60×8	M16	21.3
200	200	75	25	45	15	80×10	M20	43.8
200	200	100	25	40	15	80×10	M20	39.5
250	200	80	30	45	20	90×10	M24	55.3
250	250	100	30	50	20	100×10	M24	67.2
300	250	100	30	50	25	100×10	M24	82.6
300	300	125	30	60	25	110×12	M24	95.6
350	350	150	35	65	25	120×12	M30	126

[All dimensions in mm]

FENDER SIZE	E (KNM)	R (KN)
100	2.7	157
150	6.4	235
200	11.3	314
250	17.7	392
300	25.5	471
350	34.3	589
400	45.1	628
500	70.5	785

AAG CATALOGUE

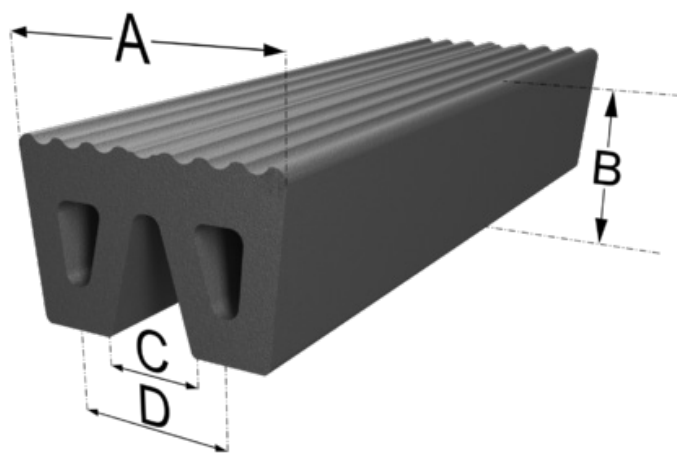
cylindrical fenders



The first choice when it comes to berthing and hull protection. Impact resistant, hard wearing fenders for all types of operating conditions. We offer all types and variations to suit your design requirements.

Extruded profiles of up to 300 mm outer diameter can be supplied to any reasonable length, moulded fenders can be supplied up to 2000 mm outer diameter in standard lengths or using the rolled strip method, which involves wrapping high quality Natural rubber/SBR compound around a mandrill, providing the option to produce a tough, and flexible, impact resistant shock absorber, ideal for curving around bow sections, particularly on tugs and workboats.

OD x ID (MM)	E (KNM)	R (KN)	P* (KN/M ²)	WEIGHT (KG/M)
100x50	0.8	43	547	7.2
125x65	1.3	51	500	11.0
150x75	1.8	65	552	16.3
175x75	2.7	92	781	24.1
200x100	3.3	86	547	29.0
250x125	5.1	108	550	45.3
300x150	7.4	129	547	65.2
380x190	11.8	164	550	105
400x200	13.1	172	547	116
450x225	16.6	194	549	147
500x250	28	275	700	181
600x300	40	330	700	255
800x400	72	440	700	453
1000x500	112	550	700	707
1200x600	162	660	700	1018
1400x700	220	770	700	1386
1400x800	208	649	516	1245
1500x750	253	825	700	1591
1600x800	288	880	700	1810
1750x900	340	929	657	2124
2000x1200	415	871	462	2414
2400x1200	647	1321	701	4073
2700x1300	818	1486	728	5154



These compression moulded fenders are specifically designed for Tugs which operate in the toughest conditions.

Designed with flexible legs they can be secured to a multitude of hull shapes.

Can also be supplied in pre cut lengths ensuring a quick and trouble free installation.

Extremely hard wearing and UV resistant.

DIMENSIONS

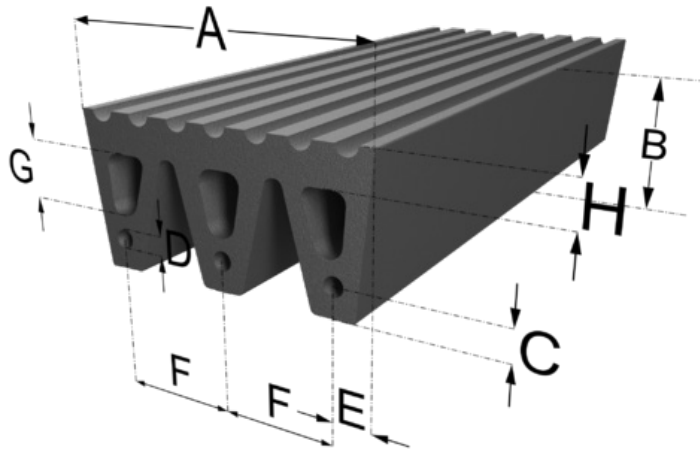
TYPE	A	B	C	D	K	LMAX	WEIGHT
W320	320	200	280	180	50	2000	51
W400	400	250	350	220	55	2000	81
W480	480	300	426	269	65	2000	120
W500	500	450	420	255	75	2000	180

[Units: mm, kg/m]

FIXING

PIN	FLAT BAR	RMIN
ø25	100 x 20	600
ø30	120 x 20	800
ø40	140 x 20	900
ø40	150 x 20	1000

[Units: mm]



Designed to have a large contact face, these Tug fenders exert low pressure during pushing operations, and the flexible design makes them ideal for fitting around most tight curves on a hull.

Alternatively they are often used for bridge and pile protection.

The blend of Natural Rubber and SBR compound is specially designed and rigorously tested to ensure that they are hard wearing and provide high levels of abrasion resistance and UV protection.

These fenders can be cut and supplied to a specific design, shape and length to suit the customers requirement.

DIMENSIONS

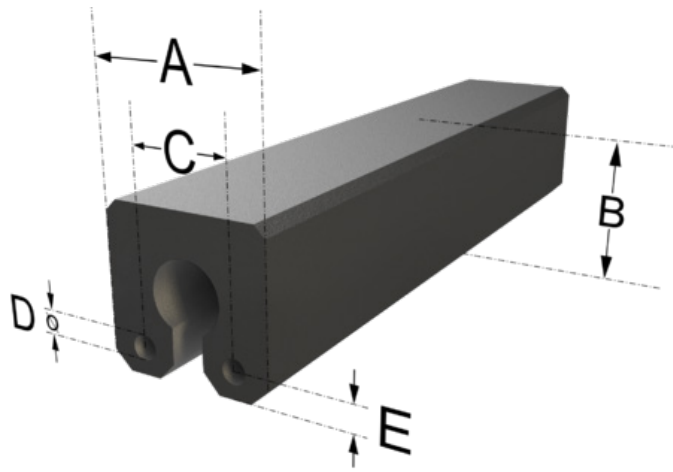
TYPE	A	B	C	ØD	E	F	LMAX	WEIGHT [KG/M]
M400	400	200	40	23	50	150	2000	56
M500	500	250	50	27	60	190	2000	89
M600	600	300	60	33	70	230	2000	132

[Units: mm, kg/m]

FIXING

PIN	FLAT BAR	RMIN
ø20	100 x 15	450
ø24	125 x 20	550
ø30	150 x 20	650

[Units: mm]



Keyhole fenders are designed to absorb kinetic energy on the hull of a workboat or tug, however they are also quite often used to protect bridges, piles and harbor walls.

There are two main options being flat or grooved face depending upon the amount of friction these fenders are likely to encounter, however, we can also provide a further composite type where a UHMW-PE board is bonded to the upper part of the fender to further reduce friction.

Can be delivered pre-drilled or if requested chamfered.

BLOCK FENDER DIMENSIONS

A	B	C	ØD	E	LMAX	WEIGHT
200	200	35	28	130	2000	33
250	250	50	33	150	2000	54
300	300	60	33	180	1750	80
350	350	70	33	210	2000	114

[Units: mm, kg/m]

PIN	FLAT BAR	RMIN
ø20	100 x 15	450
ø24	125 x 20	550
ø30	150 x 20	650

[Units: mm]

CUBE FENDER DIMENSIONS

A	B	C	ØD	E	ØG	L	WEIGHT
250	250	50	33	150	100	250	13
300	300	60	33	180	1150	200	16

[Units: mm, kg/m]

PIN	FLAT BAR	RMIN
ø30	125 x 20	600
ø30	150 x 25	800

[Units: mm]